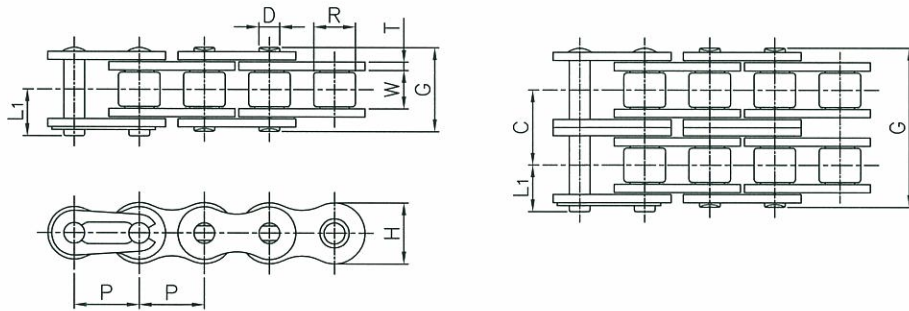


# EK Standard Roller Chain



(mm)

EK Chain No.	Number of Strand	Pitch P	Roller Dia. R	Roller Link Width W(min.)	Pin Dia. D	Pin Length		Link Plate		Transverse Pitch C	Average Tensile Strength kN	Maximum Allowable Load kN	Approx. Weight Kg/Meter
						L 1	G	Thickness T	Height H(max.)				
EK 015	1	4.7625	*2.48	2.38	1.65	3.95	5.90	0.55	4.4	-	2.40	0.31	0.09
EK 25	1						7.60				4.10	0.74	0.13
EK 25-2	2	6.350	*3.30	3.10	2.30	4.70	14.00	0.75	6.0	6.4	8.20	1.20	0.26
EK 25-3	3						20.40				12.40	1.80	0.39
EK 35	1						11.80				11.30	2.10	0.34
EK 35-2	2	9.525	*5.08	4.68	3.58	7.00	21.90	1.27	9.0	10.1	22.60	3.60	0.66
EK 35-3	3						32.10				33.80	5.40	0.99
EK 41	1	12.700	7.77	6.25	3.58	8.00	13.60	1.27	9.6	-	12.70	2.20	0.40
EK 40	1						16.30				19.10	3.60	0.63
EK 40-2	2	12.700	7.92	7.85	3.96	9.35	30.60	1.50	12.0	14.4	38.20	6.20	1.25
EK 40-3	3						45.00				57.40	9.10	1.87
EK 50	1						20.50				31.40	6.40	1.05
EK 50-2	2	15.875	10.16	9.40	5.08	11.35	38.20	2.00	15.0	18.1	62.80	10.80	2.08
EK 50-3	3						56.00				94.10	16.00	3.10
EK 60	1						25.85				44.10	8.80	1.54
EK 60-2	2	19.050	11.91	12.57	5.95	14.10	48.40	2.40	18.1	22.8	88.30	15.00	3.05
EK 60-3	3						71.20				132.40	22.10	4.56
EK 80	1						32.50				84.24	14.70	2.59
EK 80-2	2	25.400	15.88	15.75	7.93	18.45	61.80	3.20	24.1	29.3	164.80	25.00	5.12
EK 80-3	3						91.00				247.10	36.80	7.66
EK 100	1						40.30				117.70	22.60	4.09
EK 100-2	2	31.750	19.05	18.90	9.53	22.20	76.00	4.00	30.1	35.8	235.40	38.30	8.10
EK 100-3	3						112.00				353.00	56.40	12.12
EK 120	1						49.80				166.70	30.40	5.82
EK 120-2	2	38.100	22.23	25.22	11.10	27.50	95.20	4.80	36.2	45.4	333.40	51.70	11.56
EK 140	1						53.80				215.70	40.20	7.21
EK 140-2	2	44.450	25.40	25.22	12.70	30.80	102.70	5.60	42.2	48.9	431.50	68.40	14.31
EK 160	1						83.70				279.50	53.00	9.68
EK 160-2	2	50.800	28.58	31.55	14.28	35.75	132.20	6.40	48.2	58.5	559.00	90.00	19.22
EK 180	1						71.20				353.00	60.80	13.50
EK 180-2	2	57.150	35.71	35.48	17.46	41.70	137.00	7.20	54.2	65.8	706.00	103.00	26.55
EK 200	1						78.00				470.70	71.60	15.80
EK 200-2	2	63.500	39.68	37.85	19.84	45.60	149.60	8.00	60.3	71.6	941.40	121.70	31.28
EK 240	1						94.40				677.00	99.00	25.60
EK 240-2	2	76.200	47.63	47.35	23.81	54.80	182.20	9.50	72.4	87.8	1353.00	168.00	51.06

NOTE:

- 1) \* denotes bushing chain. Dimension shown is bushing diameter.
- 2) Cotter pin type connecting link is standard for EK80 and larger.
- 3) EK50 and smaller are furnished with riveted pins. EK60 and larger are furnished with either riveted or cotter pins.
- 4) Other multiple strand is available upon request.
- 5) Dimensions above are identical to stainless steel and plated standard roller chains.