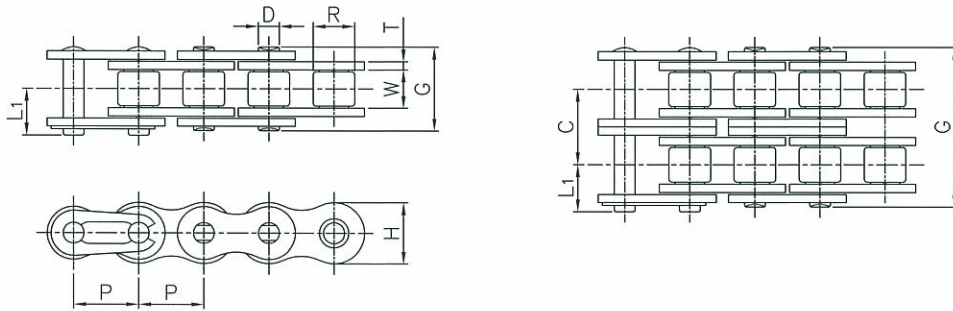


EK BS Roller Chain



(mm)

Chain No.		No. of Strand	Pitch P	Roller Dia. R	Roller Link Width W(min.)	Pin Dia. D	Pin Length		Link Plate		Transverse Pitch C	Tensile Strength		Approx. Weight Kg/Meter
EK	ISO "B"						L1	G	Thickness T	Height H(max.)		ISO "B" kN	EK (min.) kN	
REC 04		1	6.000	4.00	2.80	1.85	4.30	6.50	0.60	5.00	-	-	2.90	0.12
EK 05B		1						7.60				4.4	4.5	0.18
EK 05B-2	05B	2	8.000	5.00	3.00	2.30	4.70	13.30	0.75	7.10	5.64	7.8	7.8	0.35
EK 05B-3		3						18.90				11.1	11.1	0.53
EK 06B		1						12.30				8.9	8.9	0.39
EK 06B-2	06B	2	9.525	6.35	5.72	3.25	7.75	23.00	1.30	8.10	10.24	16.9	16.9	0.75
EK 06B-3		3						33.10				24.9	24.9	1.1
EK 08B		1						16.30				17.8	17.8	0.64
EK 08B-2	08B	2	12.700	8.51	7.75	4.44	9.36	30.60	1.50	11.80	13.92	31.1	31.1	1.32
EK 08B-3		3						45.00				44.5	44.5	1.98
EK 10B		1						18.90				22.2	22.2	0.89
EK 10B-2	10B	2	15.875	10.16	9.65	5.08	10.55	35.20	1.50	14.70	16.59	44.5	44.5	1.76
EK 10B-3		3						51.80				66.7	66.7	2.63
EK 12B		1						22.30				28.9	28.9	1.21
EK 12B-2	12B	2	19.050	12.07	11.68	5.70	12.45	41.70	1.80	16.10	19.46	57.8	57.8	2.39
EK 12B-3		3						61.20				86.7	86.7	3.57
EK 16B		1						36.20				60.0	63.7	2.65
EK 16B-2	16B	2	25.400	15.88	17.02	8.27	18.60	67.90	4.00	21.00	31.88	106.0	121.6	5.27
EK 16B-3		3						99.80				160.0	181.4	7.88
EK 20B		1						40.18				64.5	98	3.76
EK 20B-2	20B	2	31.750	19.05	19.56	10.16	23.42	76.71	4.50	26.00	36.45	129.0	164.7	7.26
EK 20B-3		3						113.44				193.5	266.7	10.86
EK 24B		1						53.34				97.8	166.7	7.29
EK 24B-2	24B	2	38.100	25.40	25.40	14.63	31.04	101.85	5.90	33.40	48.36	195.7	315.7	14.53
EK 24B-3		3						150.22				293.6	475.6	21.76
EK 28B		1						65.10				129.0	196.1	9.26
EK 28B-2	28B	2	44.450	27.94	30.99	15.88	38.74	124.69	7.40	36.50	59.56	258.1	368.7	18.45
EK 28B-3		3						184.30				387.1	556	27.65
EK 32B		1						65.20				169.0	237.3	9.92
EK 32B-2	32B	2	50.800	29.21	30.99	17.81	39.37	124.00	6.90	41.60	58.55	338.1	484.4	19.76
EK 32B-3		3						182.63				507.1	728.6	29.61

NOTE:

- 1) EK06B: The chain is furnished with straight sidebar. The multiple strand chain is furnished with a single center link plate.
- 2) EK05B: Offset link is available with two pitch type only and not available for multiple strand.
- 3) BS stainless steel and plated chains are available.