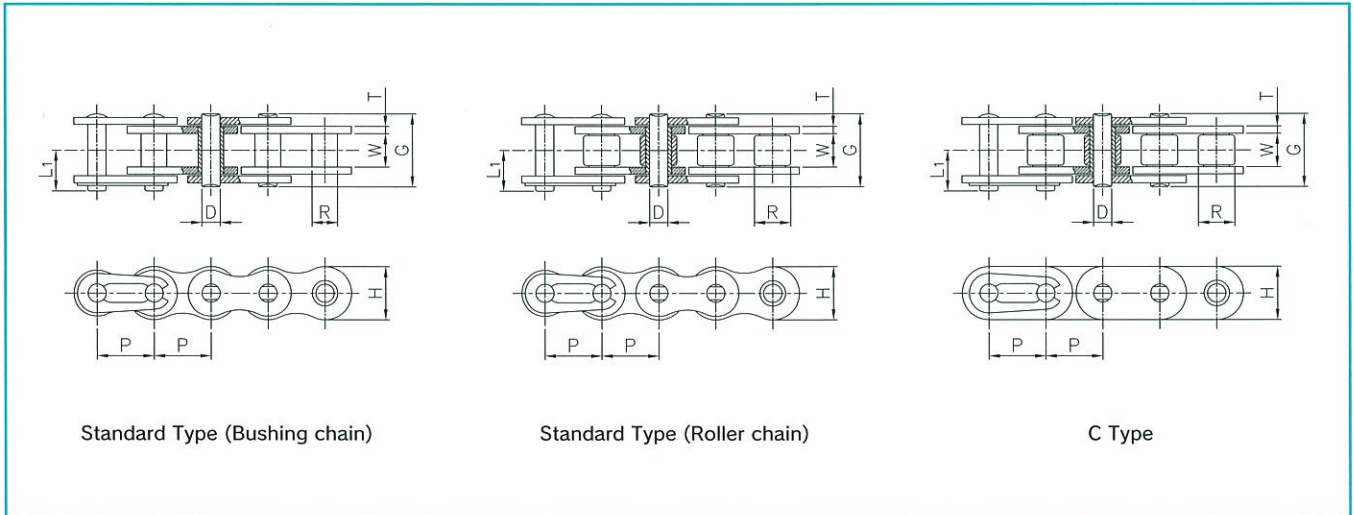


EK Non Standard Heavy Series Roller Chain



Standard Type (Bushing chain)

Standard Type (Roller chain)

C Type

(mm)

EK Chain No.	Pitch P	Roller Dia. R	Roller Link Width W(min.)	Pin Dia. D	Pin Length		Link Plate		Average Tensile Strength kN	Maximum Allowable Load kN	Approx. Weight Kg/Meter
					L1	G	Thickness T	Height H(max.)			
EK 25H	6.350	*3.300	3.10	2.30	5.20	8.60	1.00	6.0	5.40	0.98	0.16
EK 29H	7.774	*4.585	4.60	3.16	7.15	11.90	1.40	7.5	9.80	1.80	0.32
EK 29HR	7.774	*4.585	4.60	3.16	7.45	12.40	1.40	7.5	9.80	1.80	0.33
EK 29HR-D	7.774	*4.585	4.60	3.16	7.45	12.40	1.40	7.5	9.80	1.80	0.33
EK 35R	9.525	5.080	4.68	3.58	7.80	13.60	1.27	9.0	11.70	2.10	0.36
EK C415M	12.700	7.770	4.68	3.62	6.70	11.80	1.10	9.6	11.70	1.30	0.34
EK 415S	12.700	7.770	4.68	3.96	7.70	13.00	1.50	10.4	14.70	2.60	0.44
EK 415SH	12.700	7.770	4.68	3.96	7.70	13.00	1.50	12.0	18.60	3.60	0.54
EK 415SH-R	12.700	7.770	4.68	3.96	8.55	14.70	1.50	12.0	18.60	3.60	0.56
EK 420SH	12.700	7.770	6.25	3.96	9.95	17.30	2.00	12.0	23.50	4.60	0.69
EK 40C	12.700	7.950	7.85	3.96	9.35	16.30	1.50	12.0	20.50	4.20	0.70
EK 40S-C	12.700	7.920	7.85	3.96	9.35	16.30	1.50	12.0	20.50	4.20	0.70
EK 40SH-C	12.700	7.920	7.85	3.96	9.75	17.30	2.00	12.0	23.50	5.20	0.80
EK 40SH-CS	12.700	7.920	7.85	3.96	-	19.00	2.00	12.0	23.50	5.50	0.89
EK 428H	12.700	8.510	7.85	4.50	10.50	17.80	1.80	12.0	23.50	3.50	0.73
EK 4285H	12.700	8.510	7.85	4.50	10.20	18.60	2.00	12.0	25.00	3.92	0.78
EK 4285SH-C	12.700	8.510	7.85	4.50	10.20	18.60	2.00	12.0	26.50	5.00	0.90
EK 428SK-C	12.700	8.510	7.85	4.50	-	19.60	2.40	12.0	27.40	6.80	0.91
EK 520S	15.875	10.160	6.25	5.08	9.75	17.30	2.00	15.0	34.30	6.30	0.93
EK 520SH	15.875	10.160	6.25	5.08	10.75	18.90	2.40	15.0	36.20	7.20	1.06
EK 525SH	15.875	10.160	7.85	5.08	11.55	20.50	2.40	15.0	36.20	7.20	1.10
EK 525SH-CP	15.875	10.700	7.85	5.08	-	22.30	3.20	15.0	36.20	11.20	1.46
EK 525SHK-C	15.875	10.700	7.85	5.04	-	22.30	3.20	15.0	44.10	11.70	1.75

NOTE:

- 1) Suffix code "C" denotes chains having straight sidebar.
- 2) Chain with suffix code "R" has longer bushing and therefore the standard connecting link can not be used.
- 3) * denotes bushing chain. Dimension shown is bushing diameter.

(mm)

EK Chain No.	Pitch P	Roller Dia. R	Roller Link Width W(min.)	Pin Dia. D	Pin Length		Link Plate		Average Tensile Strength kN	Maximum Allowable Load kN	Approx. Weight Kg/Meter
					L 1	G	Thickness T	Height H(max.)			
					EK 50C	15.875	10.16	9.40			
EK 50S	15.875	10.16	9.40	5.08	11.35	20.50	2.00	15.0	34.30	6.30	4.05
EK 50H	15.875	10.16	9.40	5.08	12.45	22.10	2.40	15.0	32.30	7.20	1.14
EK 50SH	15.875	10.16	9.40	5.08	12.45	22.10	2.40	15.0	36.20	7.20	1.14
EK 50SH-C	15.875	10.16	9.40	5.08	12.45	22.10	2.40	15.0	39.20	8.40	1.32
EK 630S	19.050	11.91	9.40	5.95	12.50	22.65	2.40	17.00	45.10	8.80	1.35
EK 630S-C	19.050	11.91	9.40	5.95	12.50	22.65	2.40	17.00	48.00	9.20	1.52
EK 630SH	19.050	11.91	9.40	5.95	14.10	25.15	3.20	18.10	52.90	12.70	1.63
EK 630SHK-CP#	19.050	14.28	9.40	6.74	15.15	27.70	4.00	19.50	65.20	17.90	2.38
EK 60C	19.050	11.91	12.57	5.95	14.10	25.15	2.40	17.00	48.00	9.20	1.66
EK 60S	19.050	11.91	12.57	5.95	14.10	25.15	2.40	17.00	45.10	8.80	1.54
EK 60S-C	19.050	11.91	12.57	5.95	14.10	25.15	2.40	17.00	48.00	9.20	1.66
EK 60H	19.050	11.91	12.57	5.95	15.65	29.30	3.20	17.00	44.10	10.70	1.76
EK 60SH	19.050	11.91	12.57	5.95	15.65	29.30	3.20	18.10	52.90	12.70	1.76
EK 60SH-B	19.050	11.91	12.57	7.50	17.50	31.00	4.00	20.00	70.60	15.60	2.40
EK 745SSHK-C	22.225	15.60	14.30	7.93	21.30	35.80	4.80	23.50	88.20	22.50	3.57
EK 745U#	22.225	15.60	14.30	7.93	-	35.80	4.80	23.50	88.20	28.40	3.53
EK 845SHK-C	25.400	19.05	14.30	9.53	22.95	43.50	6.40	25.50	122.50	40.20	4.95
EK 845U#	25.400	19.05	14.30	9.53	-	43.50	6.40	25.50	122.50	44.10	4.90
EK 80C	25.400	15.88	15.75	7.93	18.45	32.50	3.20	24.20	78.40	19.60	3.10
EK 80H	25.400	15.88	15.75	7.93	20.10	35.80	4.00	24.10	82.30	14.70	2.97
EK 80SH	25.400	15.88	15.75	7.93	20.10	35.80	4.00	24.10	93.10	20.50	3.19
EK 80HS.P.R	25.400	15.88	15.75	7.93	-	35.80	4.00	25.50	95.10	23.50	3.45
EK 955SHK-C	28.575	21.30	17.46	-	-	48.60	6.40	28.50	147.00	42.10	6.25
EK 955U	28.575	21.30	17.46	-	-	48.60	6.40	28.50	147.00	46.10	6.20
EK 100C	31.750	19.05	18.90	9.54	21.20	40.30	4.00	28.00	117.60	24.00	4.30
EK 100H	31.750	19.05	18.90	9.53	23.85	43.50	4.80	30.10	127.40	25.40	4.36
EK 100SH-B#	31.750	19.05	18.90	11.10	25.90	46.00	5.60	31.00	156.90	40.20	5.53
EK 100S.P.R#	31.750	19.05	18.90	9.53	-	40.30	4.00	31.00	127.40	29.40	4.39
EK 100SHS-C#	31.750	19.05	18.90	10.40	-	45.60	5.60	31.00	156.90	45.10	5.45
EK 120H	38.100	22.23	25.22	11.10	29.10	53.20	5.60	36.20	171.60	34.30	6.20
EK 1275HS.P.R#	38.100	22.23	23.80	11.10	-	50.00	5.60	36.20	176.50	46.50	6.94
EK 140U	44.450	25.40	25.22	14.10	-	60.00	6.40	42.20	313.80	49.00	9.60
EK 160H	50.800	28.58	31.55	14.29	35.40	67.00	7.10	47.30	275.00	58.80	10.09
EK 160MG	50.800	28.58	31.55	14.28	36.60	63.80	6.40	47.30	269.60	63.70	9.80
EK 160S.P.R#	50.800	28.58	31.55	15.08	-	66.30	6.40	50.80	333.40	68.60	12.01

NOTE:

- 1) Suffix code "C" denotes chains having straight sidebar.
- 2) Suffix code "R" denotes bushing chain. Dimension shown is bushing diameter.
- 3) Unless specified, chains marked with # are furnished with endless type.
Light press fit connecting link is also available.