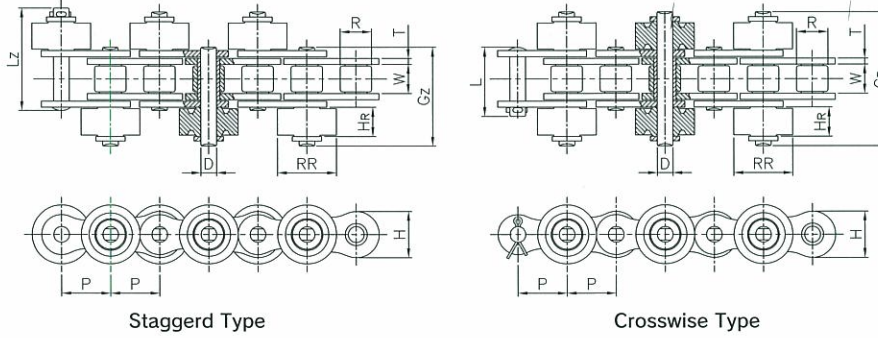


EK Free Flow Chain

Side Roller Series



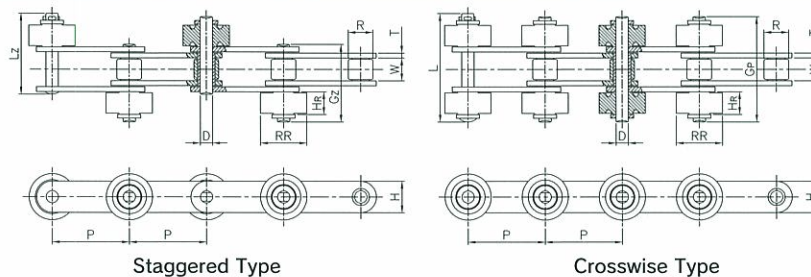
(mm)

EK Chain No.	Pitch P	Roller Dia. R	Roller Link Width W(min.)	Pin Dia. D	Link Plate	
					Thickness T	Height H(max.)
EK 40SF	12.700	7.92	7.85	3.96	1.5	12.0
EK 50SF	15.875	10.16	9.40	5.08	2.0	15.0
EK 60SF	19.050	11.91	12.57	5.95	2.4	18.1

(mm)

EK Chain No.	Pin Length				Side Roller		Average Tensile Strength(kN)	Maximum Allowable Load(kN)	Approx. Weight Kg/Meter
	Staggered Type		Crosswise Type		O.D.	Width			
	GZ	LZ	L	GP	RR	HR			
EK 40SF	26.10	27.30	17.70	35.8	15.88	7.80	19.10	3.63	1.63
EK 50SF	31.80	33.30	22.50	43.1	19.05	9.40	31.30	6.30	2.44
EK 60SF	40.80	42.60	27.90	55.8	22.23	12.60	44.10	8.80	3.66

Double Pitch Type



(mm)

EK Chain No.	Pitch P	Roller Dia. R	Roller Link Width W(min.)	Pin Dia. D	Link Plate	
					Thickness T	Height H(max.)
EK C2040SF	25.40	7.92	7.85	3.96	1.5	11.7
EK C2050SF	31.75	10.16	9.40	5.08	2.0	14.9
EK C2060HSF	38.10	11.91	12.57	5.95	3.2	17.0

(mm)

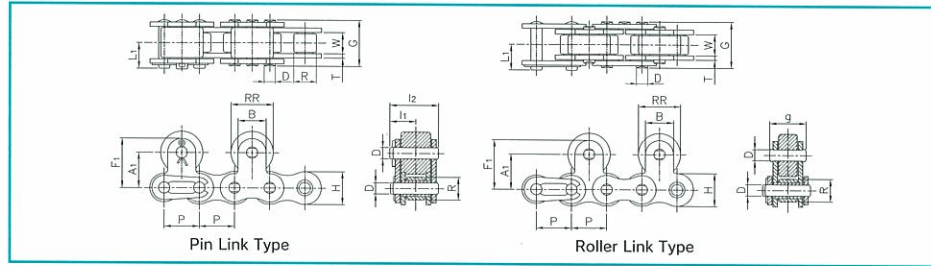
EK Chain No.	Pin Length				Side Roller		Average Tensile Strength(kN)	Maximum Allowable Load(kN)	Approx. Weight Kg/Meter
	Staggered Type		Crosswise Type		O.D.	Width			
	GZ	LZ	L	GP	RR	HR			
EK C2040SF	26.1	27.3	36.8	35.8	15.88	7.8	19.1	3.6	1.34
EK C2050SF	31.8	33.3	44.4	43.1	19.05	9.4	31.3	6.3	1.98
EK C2060HSF	44.0	45.8	60.6	59.0	22.23	12.6	44.1	8.8	3.20

NOTE:

1) Carbon steel and plastic roller is available.

EK Free Flow Chain

Top Roller Series



(mm)

EK Chain No.	Pitch P	Roller Dia. R	Roller Link Width W(min.)	Pin Dia. D	Pin Length		Link Plate		Average Tensile Strength(kN)	Maximum Allowable Load(kN)
					L1	G	Thickness T	Height H(max.)		
EK 40TF	12.700	7.92	7.85	3.96	9.35	16.30	1.5	12.0	19.1	3.6
EK 50TF	15.875	10.16	9.40	5.08	11.35	20.50	2.0	15.0	31.4	6.4
EK 60TF	19.050	11.91	12.57	5.95	14.10	25.85	2.4	18.1	44.1	8.8
EK 80TF	25.400	15.88	15.75	7.93	18.45	32.50	3.2	24.1	78.5	14.7
EK 100TF	31.750	19.05	18.90	9.53	22.20	40.30	4.0	30.1	117.7	22.6

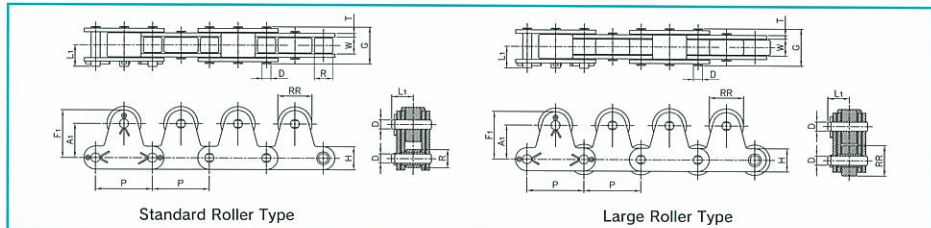
(mm)

EK Chain No.	Attachment							Approx. Weight Kg/Meter
	RR	A1	F1	B	I1	I2	g	
EK 40TF	15.88	12.7	17.45	9.5	9.55	17.70	13.3	1.5
EK 50TF	19.05	15.9	22.25	12.7	11.75	22.20	16.5	2.2
EK 60TF	22.23	18.3	26.25	15.9	15.00	27.90	21.0	3.3
EK 80TF	28.58	24.6	34.15	19.1	18.45	34.70	26.1	5.4
EK 100TF	39.68	31.7	44.40	25.4	22.20	42.35	32.3	9.1

NOTE:

- 1) Carbon steel and plastic roller is available.
- 2) Cotter pin type connecting link is furnished for EK80 and larger.
- 3) Weight shown is based on the chain with top rollers on pin links.
- 4) Specify whether top roller is on pin link or roller link when ordering.

Double Pitch Type



(mm)

EK Chain No.		Pitch P	Roller Link Width W(min.)	Roller Diameter		Pin Dia. D	Pin Length	
Standard Roller	Large Roller			Standard Roller R	Large Roller RR		L1	G
EK C2040TF	EK C2042TF	25.40	7.85	7.92	15.88	3.96	9.55	16.3
EK C2050TF	EK C2052TF	31.75	9.40	10.16	19.05	5.08	11.75	20.5
EK C2060HTF	EK C2062HTF	38.10	12.57	11.91	22.23	5.95	16.85	29.3
EK C2080HTF	EK C2082HTF	50.80	15.75	15.88	28.58	7.93	20.10	35.8
EK C2100HTF	EK C2102HTF	63.50	18.90	19.05	39.68	9.53	23.85	43.5

(mm)

EK Chain No.		Link Plate		Average Tensile Strength kN	Maximum Allowable Load kN	Attachment		Approx. Weight Kg/Meter	
Standard Roller	Large Roller	Thickness T	Height H(max.)			A1	F1	Standard Roller Kg/Meter	Large Roller Kg/Meter
EK C2040TF	EK C2042TF	1.5	11.7	19.1	3.6	15.0	21.0	1.33	1.69
EK C2050TF	EK C2052TF	2.0	14.9	31.3	6.3	19.0	26.5	2.04	2.50
EK C2060HTF	EK C2062HTF	3.2	17.0	44.1	8.8	23.0	31.6	3.68	4.36
EK C2080HTF	EK C2082HTF	4.0	23.0	78.4	14.7	29.0	40.5	5.65	6.76
EK C2100HTF	EK C2102HTF	4.8	28.8	117.6	22.5	35.4	49.7	9.11	11.37

NOTE:

- 1) Carbon steel and plastic roller is available.
- 2) Weight shown is based on the chain having top roller every link.