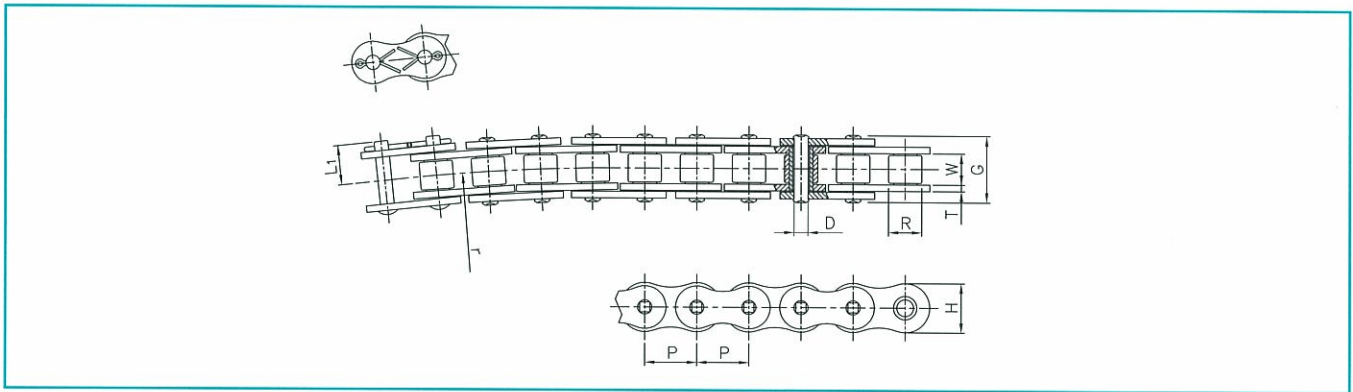


EK Sidebow Chain



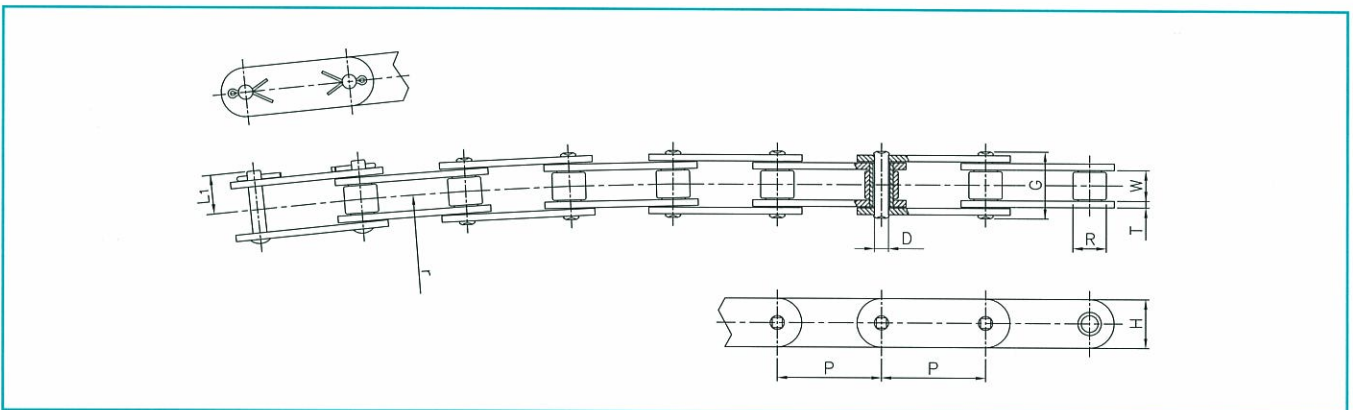
(mm)

EK Chain No.	Pitch P	Roller Dia. R	Roller Link Width W(min.)	Pin Dia. D	Pin Length		Link Plate		Minimum Radius r	Average Tensile Strength kN	Approx. Weight Kg/Meter
					L1	G	Thickness T	Height H(max.)			
EK 35SB	9.525	*5.08	4.68	3.17	7.6	11.9	1.27	9.0	254	8.0	0.31
EK 40SB	12.700	7.92	7.85	3.45	10.6	16.6	1.50	12.0	335	10.7	0.62
EK 50SB	15.875	10.16	9.40	4.37	11.9	20.4	2.00	15.0	405	20.5	1.01
EK 60SB	19.050	11.91	12.57	5.08	15.5	25.8	2.40	18.1	500	27.4	1.44
EK 80SB	25.400	15.88	15.75	7.14	19.8	33.4	3.20	24.1	915	55.8	2.54

NOTE:

- 1) * denotes bushing chain. Dimension shown is bushing diameter.
- 2) EK sidebow chain offers attachments.
- 3) Nickel plated and stainless steel chain is available.

Double Pitch Type



(mm)

EK Chain No.	Pitch P	Roller Dia. R	Roller Link Width W(min.)	Pin Dia. D	Pin Length		Link Plate		Minimum Radius r	Average Tensile Strength kN	Approx. Weight Kg/Meter
					L1	G	Thickness T	Height H(max.)			
EK C2040SB	25.40	7.92	7.85	3.45	9.70	16.6	1.5	11.7	675	10.7	0.50
EK C2050SB	31.75	10.16	9.40	4.37	12.10	20.4	2.0	14.9	760	20.5	0.83
EK C2060SB	38.10	11.91	12.57	5.08	15.40	25.8	2.4	17.0	1,065	27.4	1.20
EK C2080SB	50.80	15.88	15.75	7.14	18.90	33.4	3.2	23.0	1,740	55.8	2.09

NOTE:

- 1) Heavy link plate for EK C2060SB(3.2mm) and EKC2080SB(4.0mm) is available.
- 2) The chain offers attachments.
- 3) Nickel plated and stainless steel chain is available.